

IF YOU ARE EXPERIENCING TROUBLE WITH THIS PRODUCT,
OR MISSING PARTS, PLEASE CALL 800-954-3310 FOR ASSISTANCE
DO NOT RETURN TO STORE

MaxLINE

INSTALLATION INSTRUCTIONS

PLANNING/LAYOUT

Before beginning the installation, create a plan as to the location of the air compressor and where you are going to mount the compressed air outlets. On the plan locate outlets, tees, and elbows if needed.

AIR COMPRESSOR

Use a flexible jumper hose from the air compressor to the filter regulator unit to reduce vibration to the Maxline tubing.

FILTER REGULATOR

Maxline tubing is resistant to most common petroleum based compressor oils. Some new synthetic oils will reduce the life of the tubing. A high quality filter regulator is recommended to catch oils entering the air system.

PRESSURE RATINGS

The Maxline tubing is rated for 175 psi at 70 deg F and less, 140 psi at a maximum temperature of 140 deg F.

BENDING THE TUBING

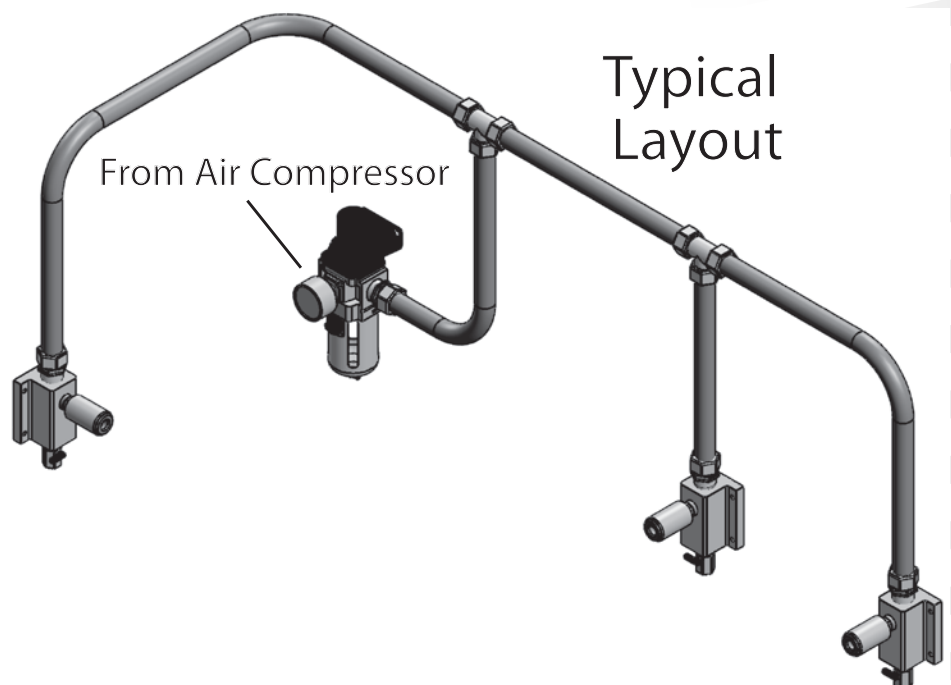
The Maxline tubing can be bent to hold any shape. Care should be taken not to kink the tubing, but rather bend the tubing in a sweeping radius around corners and obstacles. Elbow fittings are available for sharp corners.

ASSEMBLY OF THREADED COMPONENTS

Apply pipe sealant/paste to all threaded connections, except fitting nuts during assembly.

TUBING INSTALLATION

Maxline tubing will expand and contract slightly with changes in temperature. Use supplied wall clips spaced every 5 ft.



Tools and installation



1) CUT the tubing square with the cutter, **ROTATING** wrist while cutting



2) BEVEL the inside of the tubing by inserting the reaming tool and rotating it at least 3 full turns

Remove nut and split ring from fitting and place on tubing



3) PUSH the fitting onto the tubing and fully against the shoulder of the fitting (soapy water will help this process)



4) TURN the nut finger tight
Put a reference mark on the nut and fitting body



5) TIGHTEN nut with wrench a minimum of ONE FULL TURN

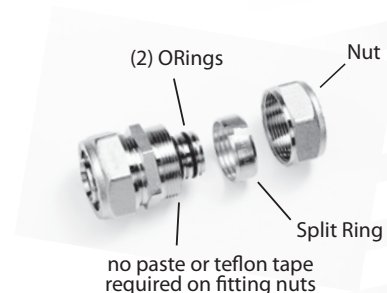


M7510 Parts List

- (1) M81010 Aluminum Block
- (1) 50136 1/2" NPT plug
- (1) 50120 3/8 NPT Hand Valve
- (1) M8005 Tubing Adaptor

Front of block is ported
1/2" NPT Female

Coupler Not Included



WARNINGS

- Regulate system pressure to a maximum of 175 psi.
 - Pressurize system slowly
 - Turn off air compressor when not in use
- Check local building codes before installation.
- Compressed air is dangerous if not used properly.
- Do not point compressed air source at any part of your body or at any person.
 - Always use eye protection when using compressed air.
- CA PROP 65: This product contains chemicals known to the state of California to cause cancer and birth defects or other reproductive harm.

Engineered Specialties, LLC • Arpin, WI • 800-954-3310

For installation tips and warranty information, please visit www.RapidAirproducts.com